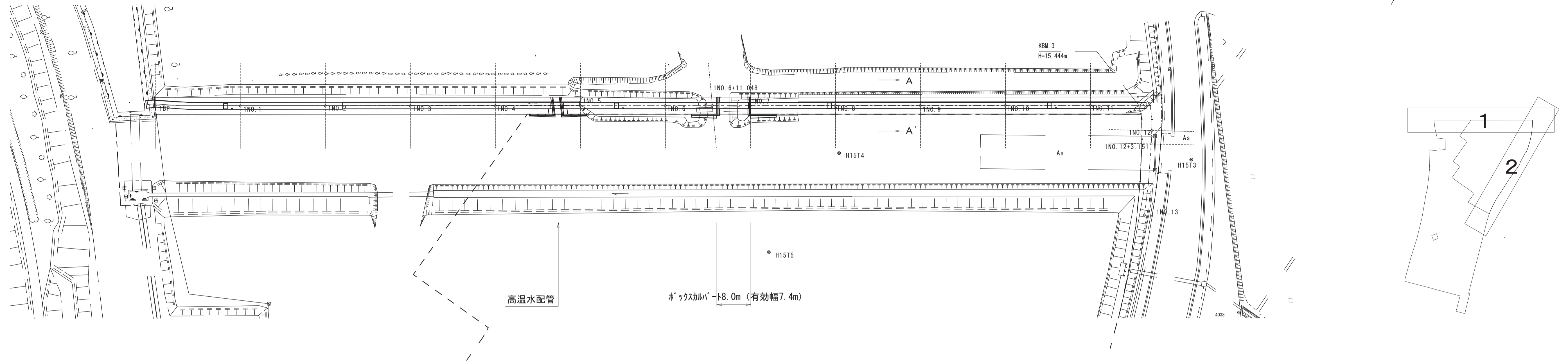
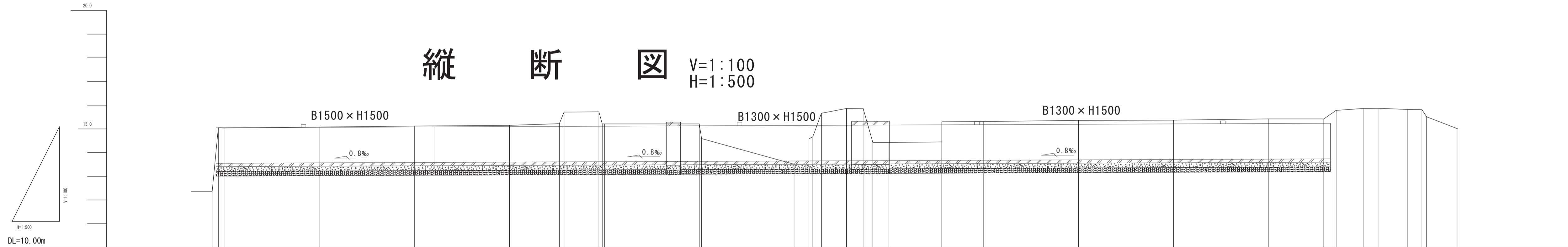


平面図 s=1:500



縦断図 V=1:100
H=1:500

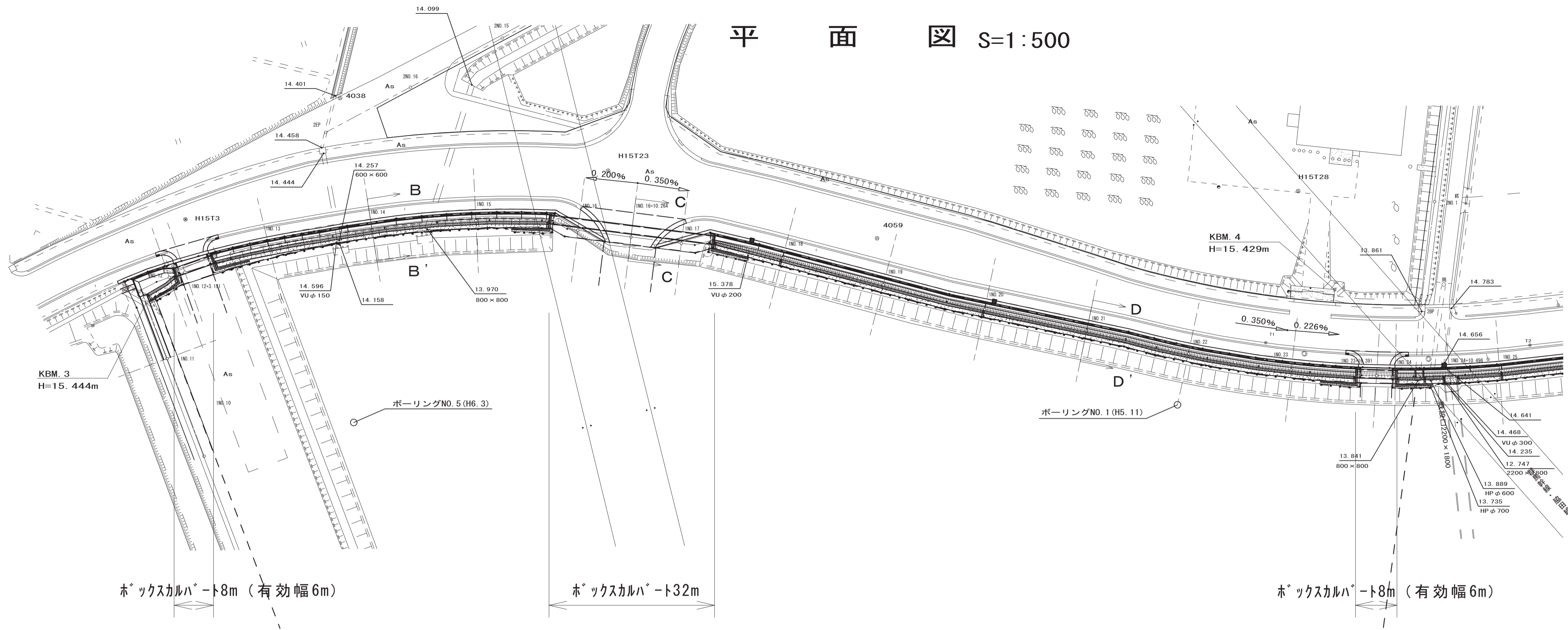


| | | | | | | | | | | | | | | | | | | | | | | | | | | | |
|------|---------------------------|--------|-----------------------------|--------|--------|----------------|---------|---------|-------------------------|---------|---------|---------|------------------|---------|----------------------------|---------|---------|---------|---------|---------|---------|---------|---------|---------|---------|---------|--|
| 勾配 | 13.550 | | $i=0.800\%$ $L=234.067m$ | | | | | | | | | | 13.737 13.758 | | $i=1.500\%$ $L=65.933m$ | | | | | | | | | | | | |
| 盛土高 | | | | | | | | | | | | | | | | | | | | | | | | | | | |
| 切土高 | | | | | | | | | | | | | | | | | | | | | | | | | | | |
| 計画高 | 13.550 | 13.566 | 13.582 | 13.598 | 13.614 | 13.630 | 13.646 | 13.655 | 13.662 | 13.678 | 13.694 | 13.710 | 13.726 | 13.737 | 13.758 | 13.781 | 13.787 | 13.797 | | | | | | | | | |
| 地盤高 | 12.35 13.03 15.04 | 15.08 | 15.12 | 15.15 | 15.21 | 15.21 | 15.25 | 15.28 | 15.28 | 15.31 | 15.36 | 15.37 | 15.42 | 15.42 | 15.78 | 15.86 | 15.87 | 15.82 | 15.81 | 15.51 | 15.00 | | | | | | |
| 追加距離 | -2.700 -0.300 0.000 | 20.000 | 40.000 | 60.000 | 70.500 | 88.500 | 100.000 | 120.000 | 123.150 125.750 | 131.048 | 134.550 | 136.600 | 140.000 | 151.150 | 160.000 | 180.000 | 200.000 | 220.000 | 231.700 | 234.300 | 240.000 | 243.151 | 249.300 | 252.400 | 253.400 | 260.000 | |
| 単距離 | -1.300 -0.300 0.000 | 20.000 | 20.000 | 20.000 | 10.000 | 7.350 8.350 | 20.000 | 19.500 | 3.150 2.800 1.800 | 5.298 | 3.502 | 2.050 | 3.400 | 11.150 | 8.850 | 20.000 | 20.000 | 20.000 | 11.700 | 2.600 | 5.700 | 3.151 | 6.149 | 3.100 | 1.000 | 6.600 | |
| 測点 | BP | NO. 1 | NO. 2 | NO. 3 | NO. 4 | NO. 5 | NO. 6 | +11.048 | NO. 7 | NO. 8 | NO. 9 | NO. 10 | NO. 11 | +14.067 | NO. 12 | +3.151 | NO. 13 | | | | | | | | | | |
| 片勾配 | | | | | | | | | | | | | | | | | | | | | | | | | | | |

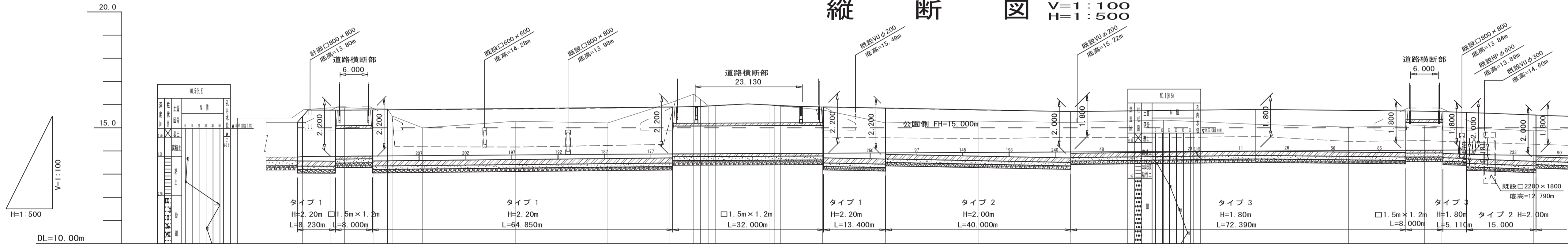
(川越市大字鯨井地内)

| | | | | | |
|---------------|----------------|----|----|-----|---------|
| 工事名 | なぐわし公園外周水路整備工事 | | | | |
| 図面名称 | 平面図・縦断図(1) | | | | |
| 縮尺 | 図示 | 単位 | m | 作図 | 平成21年9月 |
| 承認 | 設計 | | 図番 | 1/2 | |
| | | | 整番 | 1/3 | |
| 川越市都市計画部公園整備課 | | | | | |

平面図 S=1:500



縦断図 V=1:100 H=1:500



| 測点 | 単距離 | 追加距離 | 地盤高 | 計画高 | 擁壁敷高 | 擁壁天高 | 勾配 |
|---------|--------|---------|--------|--------|--------|--------|-----------------------------|
| N0.11 | 20.000 | 220.000 | 15.42 | | | | $i=0.800\%$ $L=234.067m$ |
| +14.067 | 14.067 | 234.067 | | 13.758 | 13.566 | 15.766 | 13.758 |
| N0.12 | 5.933 | 240.000 | 15.86 | 13.767 | 13.561 | 15.761 | |
| +3.151 | 3.151 | 243.151 | 15.87 | 13.772 | 13.772 | 15.092 | 13.772 |
| N0.13 | 6.149 | 249.300 | 15.82 | 13.781 | 13.569 | 15.769 | |
| | 3.100 | 252.400 | 15.81 | 13.786 | 13.575 | 15.775 | |
| | 1.000 | 253.400 | 15.51 | 13.797 | 13.577 | 15.777 | |
| N0.13 | 6.600 | 260.000 | 15.00 | 13.797 | 13.591 | 15.791 | |
| N0.14 | 20.000 | 280.000 | 15.28 | 13.827 | 13.630 | 15.830 | |
| N0.15 | 20.000 | 300.000 | 15.21 | 13.857 | 13.670 | 15.870 | |
| N0.16 | 13.400 | 313.400 | 16.07 | 13.870 | 13.697 | 15.897 | |
| | 5.150 | 318.550 | 16.45 | 13.876 | 13.876 | 15.196 | |
| | 1.800 | 320.350 | 15.94 | 13.879 | 13.879 | 15.199 | |
| | 1.400 | 321.750 | 15.93 | 13.879 | 13.879 | 15.199 | |
| | 2.300 | 325.050 | 15.99 | 13.883 | 13.883 | 15.203 | |
| +10.264 | 4.764 | 330.264 | 16.03 | 13.887 | 13.887 | 15.207 | |
| | 4.736 | 335.000 | 15.99 | 13.892 | 13.892 | 15.212 | |
| | 1.200 | 336.200 | 15.93 | 13.894 | 13.894 | 15.214 | |
| | 2.750 | 340.000 | 15.89 | 13.897 | 13.897 | 15.217 | |
| N0.17 | 6.400 | 346.400 | 15.77 | 13.904 | 13.904 | 15.224 | |
| N0.18 | 13.600 | 360.000 | 15.21 | 13.917 | 13.651 | 15.851 | |
| N0.19 | 20.000 | 380.000 | 15.29 | 13.937 | 13.776 | 15.776 | |
| N0.20 | 20.000 | 400.000 | 15.23 | 13.957 | 13.700 | 15.700 | |
| N0.21 | 20.000 | 420.000 | 15.33 | 13.977 | 13.945 | 15.745 | |
| N0.22 | 20.000 | 440.000 | 15.15 | 13.997 | 13.990 | 15.790 | |
| N0.23 | 20.000 | 460.000 | 15.03 | 14.017 | 13.950 | 15.750 | |
| +16.391 | 16.391 | 476.391 | 15.09 | 14.034 | 14.034 | 15.354 | |
| N0.24 | 3.609 | 480.000 | 15.04 | 14.037 | 14.037 | 15.357 | |
| +3.500 | 3.500 | 483.500 | 14.040 | 14.040 | 13.874 | 15.674 | |
| +5.500 | 2.000 | 485.500 | 13.859 | 14.040 | 13.859 | 15.659 | |
| N0.25 | 14.500 | 500.000 | 14.87 | 13.810 | 13.555 | 15.555 | |

(川越市大字鯉井地内)

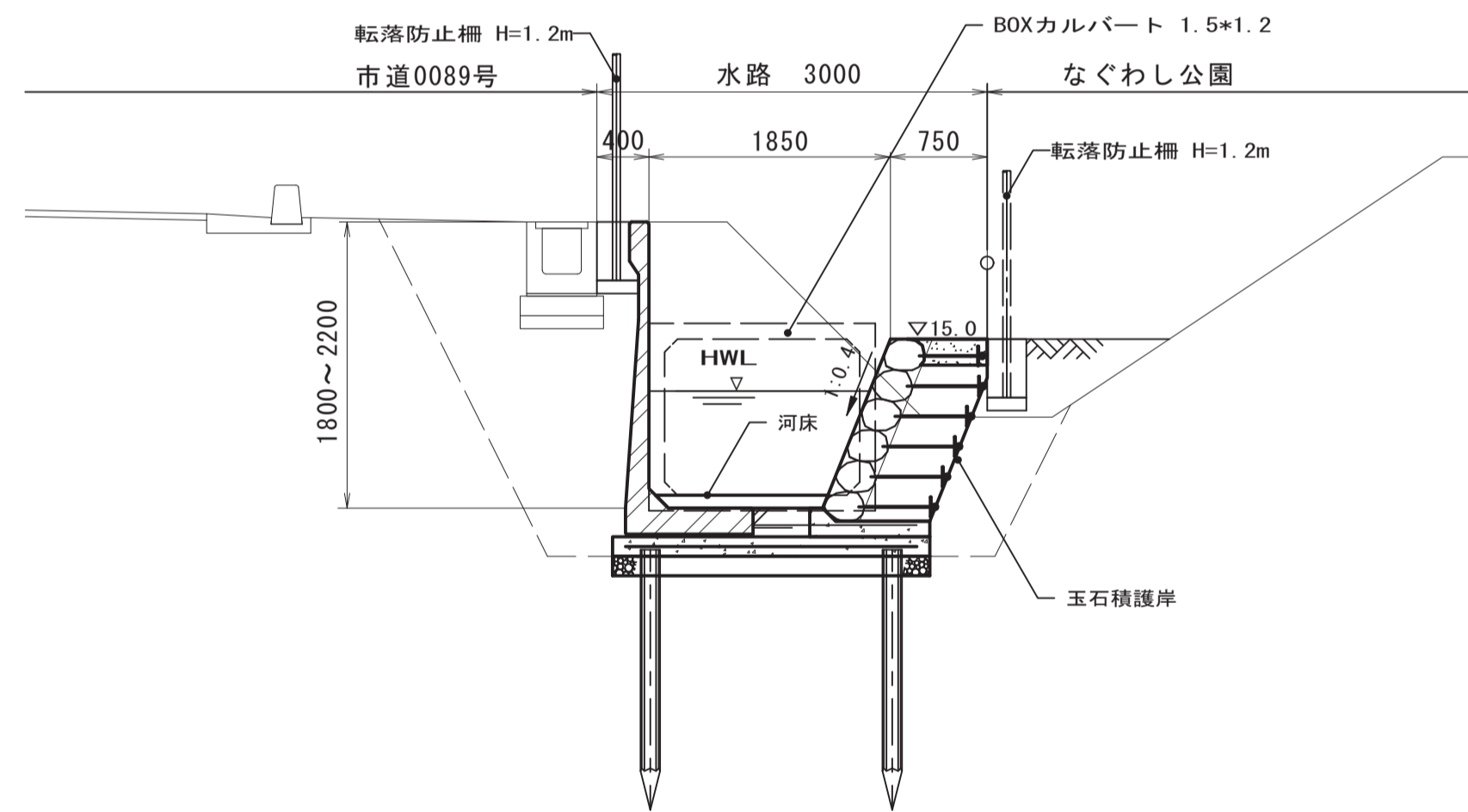
| | | |
|------|----------------|------------|
| 工事件名 | なぐわし公園外周水路整備工事 | |
| 図面名称 | 平面図・縦断図(2) | |
| 縮尺 | 図示 | 単位 m |
| 承認 | 設計 | 作図 平成21年9月 |
| | | 図番 2 / 2 |
| | | 整番 2 / 3 |

川越市都市計画部公園整備課

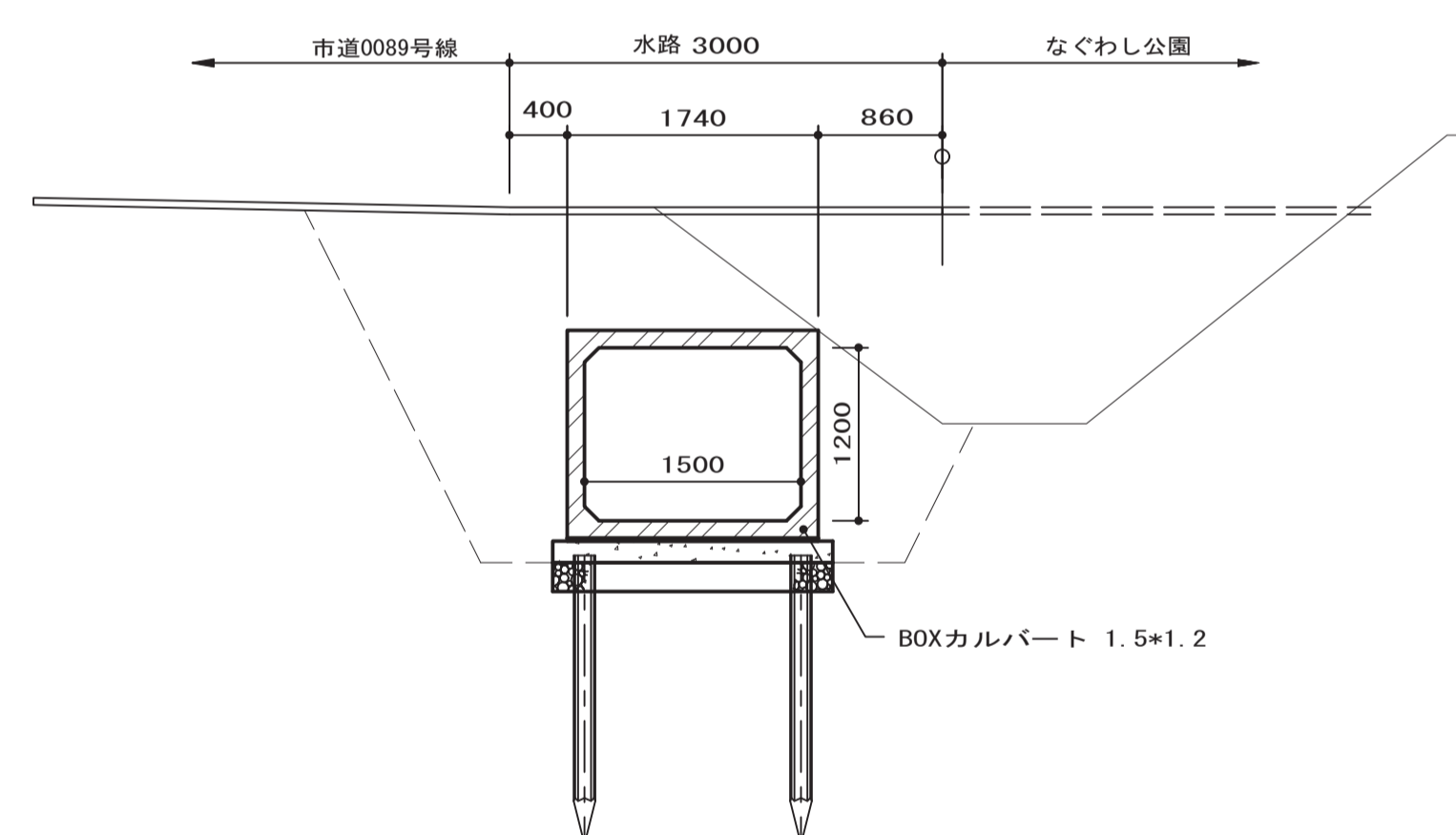
標準断面図

S=1:50

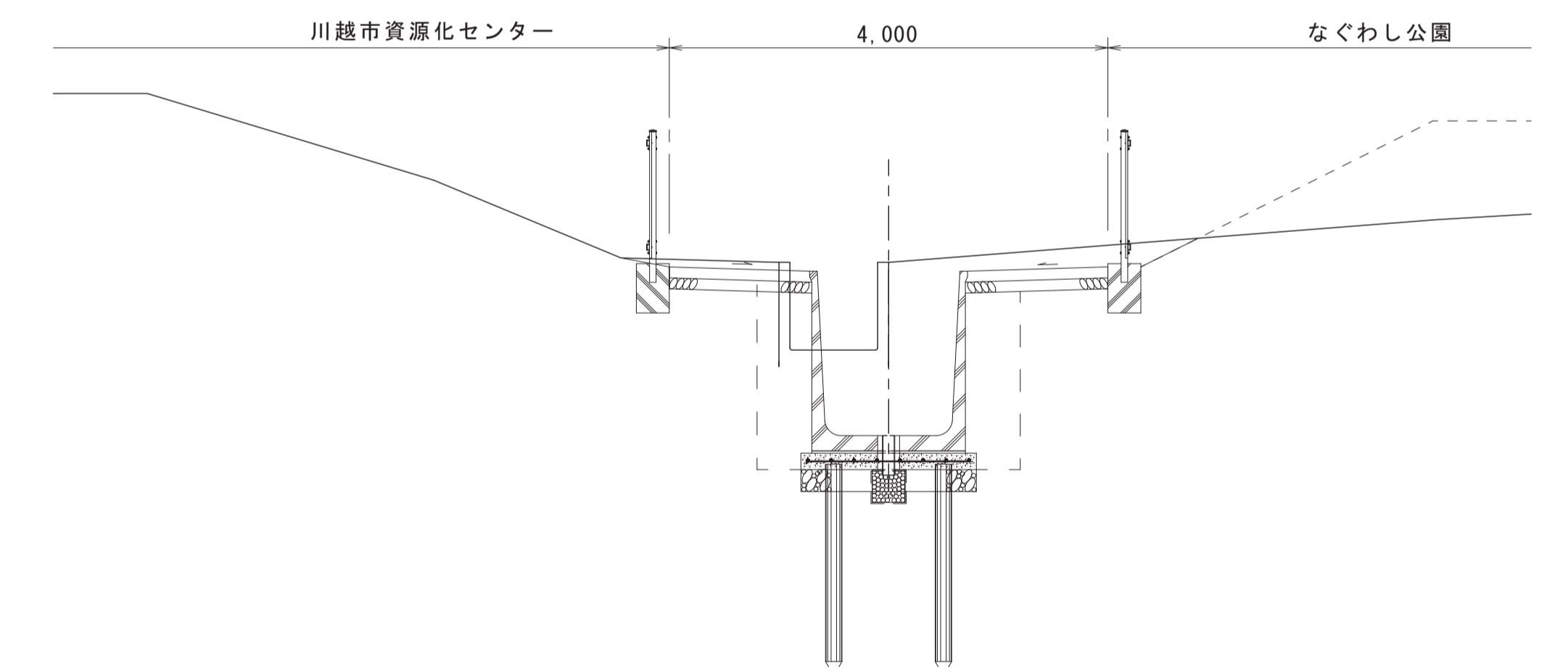
B-B', D-D' 断面



C-C' 断面



A-A' 断面



(川越市大字鯨井地内)

| | | | | | |
|---------------|----------------|----|----|----|---------|
| 工事件名 | なぐわし公園外周水路整備工事 | | | | |
| 図面名称 | 標準断面図 | | | | |
| 縮尺 | 図示 | 単位 | mm | 作図 | 平成21年9月 |
| 承認 | | 設計 | | 図番 | 1 / 1 |
| | | | | 整番 | 3 / 3 |
| 川越市都市計画部公園整備課 | | | | | |